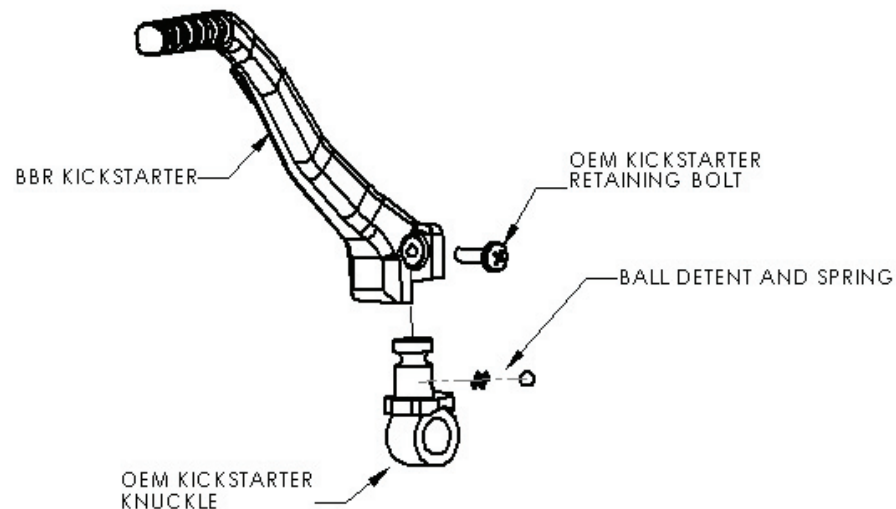




BBR CRF150R Billet Kick Starter

Part ID# 130-HCF-1601

1. REMOVE OEM KICKSTARTER FROM BIKE. (12MM HEX HEAD)
2. REMOVE OEM KICKSTARTER RETAINER BOLT.
3. SLIDE OEM KICKSTARTER OFF KNUCKLE.
NOTE: BE CAREFUL WHEN REMOVING FROM KNUCKLE BALL AND SPRING WILL FALL OUT. THESE PARTS ARE SMALL AND ARE VERY EASY TO LOSE. (BALL AND SPRING ARE NOT AVAILABLE TO PURCHASE SEPARATELY FROM HONDA)
4. APPLY GREASE TO INSIDE OF BBR KICKSTARTER.
5. INSTALL BBR KICKSTARTER OVER OEM KNUCKLE. YOU MAY NEED TO COMPRESS BALL AND SPRING WHEN SLIDING NEW KICK STARTER ON.
6. INSTALL OEM KICKSTARTER RETAINING BOLT AND TIGHTEN.
7. INSTALL KICKSTARTER ON BIKE.



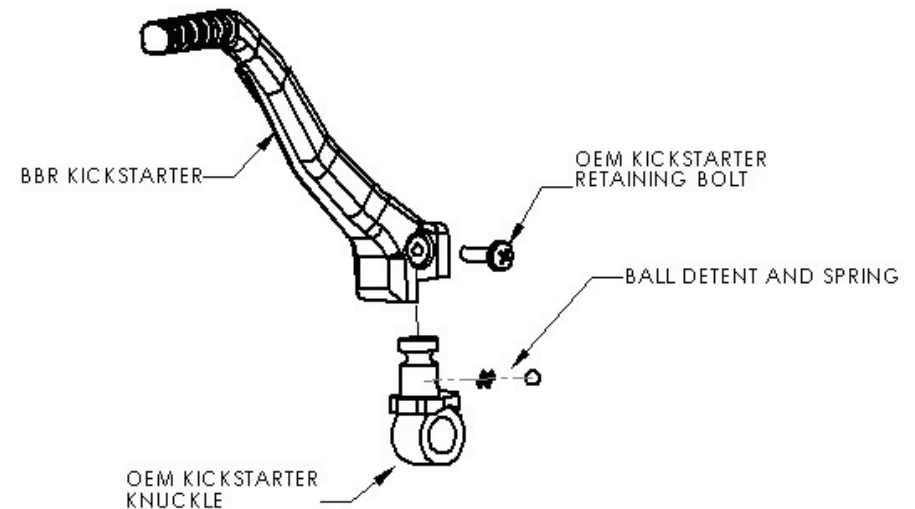
Toll Free: 1 (888) 668-6227 WWW.BBRMOTORSPORTS.COM



BBR CRF150R Billet Kick Starter

Part ID# 130-HCF-1601

1. REMOVE OEM KICKSTARTER FROM BIKE. (12MM HEX HEAD)
2. REMOVE OEM KICKSTARTER RETAINER BOLT.
3. SLIDE OEM KICKSTARTER OFF KNUCKLE.
NOTE: BE CAREFUL WHEN REMOVING FROM KNUCKLE BALL AND SPRING WILL FALL OUT. THESE PARTS ARE SMALL AND ARE VERY EASY TO LOSE. (BALL AND SPRING ARE NOT AVAILABLE TO PURCHASE SEPARATELY FROM HONDA)
4. APPLY GREASE TO INSIDE OF BBR KICKSTARTER.
5. INSTALL BBR KICKSTARTER OVER OEM KNUCKLE. YOU MAY NEED TO COMPRESS BALL AND SPRING WHEN SLIDING NEW KICK STARTER ON.
6. INSTALL OEM KICKSTARTER RETAINING BOLT AND TIGHTEN.
7. INSTALL KICKSTARTER ON BIKE.



Toll Free: 1 (888) 668-6227 WWW.BBRMOTORSPORTS.COM