

KLX110

FORK SPRING INSTALLATION INSTRUCTIONS

When installing the BBR springs on the "L" model bike, install included spacer above the spring. On non L model bikes install without spacer

BBR Motorsports recommendations:

"L" Model:

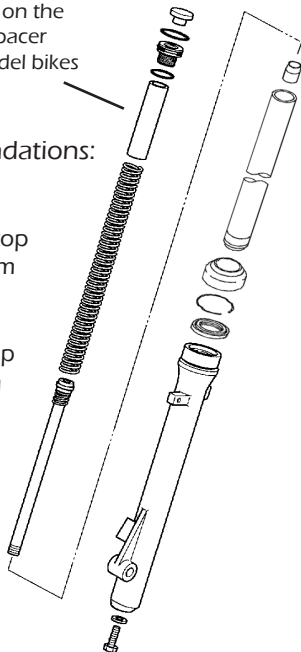
OEM: 10W at 118mm from top
BBR: 20W or 30W at 118mm

Standard Model:

OEM: 10W at 89mm from top
BBR: 20W or 30W at 89mm

Light riders (under 150lbs) can use one OEM spring and one BBR spring.

Heavy or aggressive riders use both springs and thicker oil.



BBR

MOTORSPORTS (253) 631-8233 · www.bbrmotorsports.com

KLX110

FORK SPRING INSTALLATION INSTRUCTIONS

When installing the BBR springs on the "L" model bike, install included spacer above the spring. On non L model bikes install without spacer

BBR Motorsports recommendations:

"L" Model:

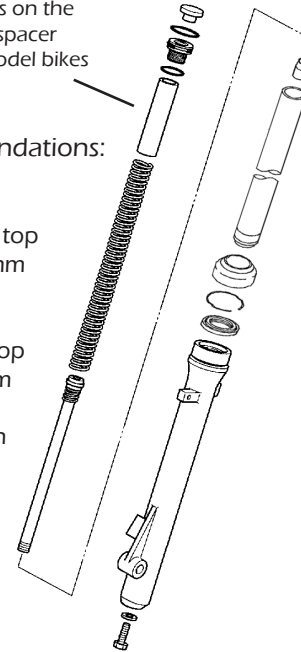
OEM: 10W at 118mm from top
BBR: 20W or 30W at 118mm

Standard Model:

OEM: 10W at 89mm from top
BBR: 20W or 30W at 89mm

Light riders (under 150lbs) can use one OEM spring and one BBR spring.

Heavy or aggressive riders use both springs and thicker oil.



BBR

MOTORSPORTS (253) 631-8233 · www.bbrmotorsports.com

KLX110

FORK SPRING INSTALLATION INSTRUCTIONS

When installing the BBR springs on the "L" model bike, install included spacer above the spring. On non L model bikes install without spacer

BBR Motorsports recommendations:

"L" Model:

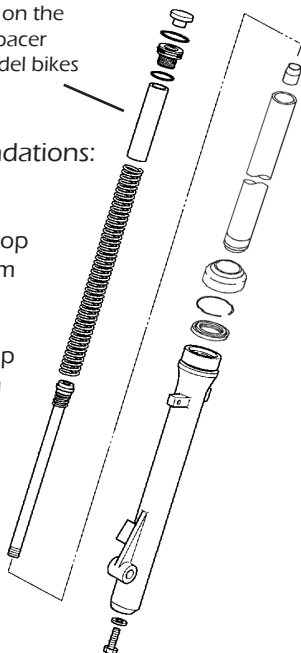
OEM: 10W at 118mm from top
BBR: 20W or 30W at 118mm

Standard Model:

OEM: 10W at 89mm from top
BBR: 20W or 30W at 89mm

Light riders (under 150lbs) can use one OEM spring and one BBR spring.

Heavy or aggressive riders use both springs and thicker oil.



BBR

MOTORSPORTS (253) 631-8233 · www.bbrmotorsports.com

KLX110

FORK SPRING INSTALLATION INSTRUCTIONS

When installing the BBR springs on the "L" model bike, install included spacer above the spring. On non L model bikes install without spacer

BBR Motorsports recommendations:

"L" Model:

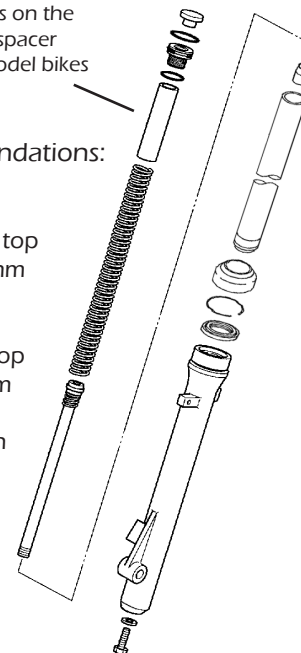
OEM: 10W at 118mm from top
BBR: 20W or 30W at 118mm

Standard Model:

OEM: 10W at 89mm from top
BBR: 20W or 30W at 89mm

Light riders (under 150lbs) can use one OEM spring and one BBR spring.

Heavy or aggressive riders use both springs and thicker oil.



BBR

MOTORSPORTS (253) 631-8233 · www.bbrmotorsports.com